

NEPTUNE
TECHNOLOGY GROUP

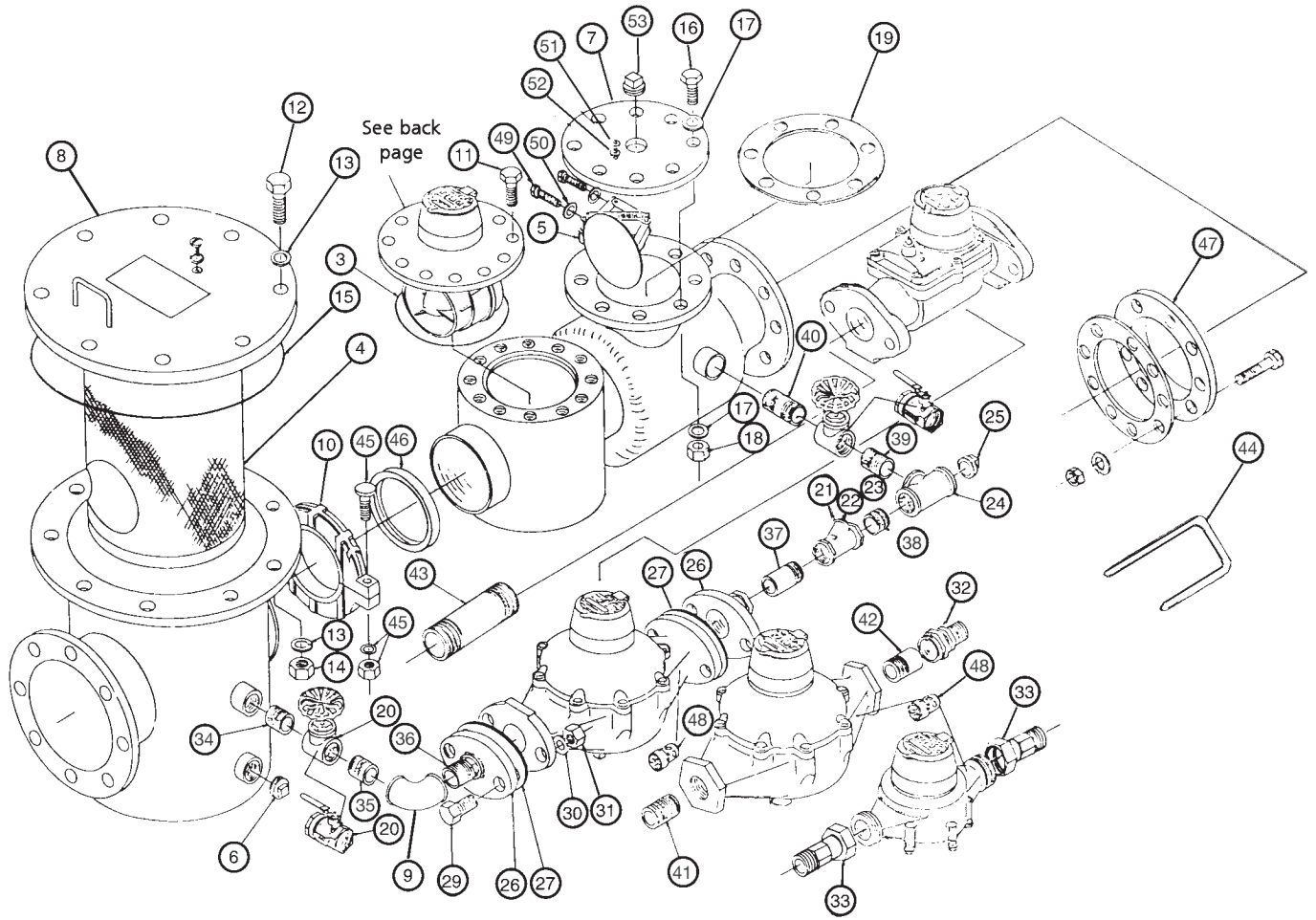
ARB® UTILITY MANAGEMENT SYSTEMS™

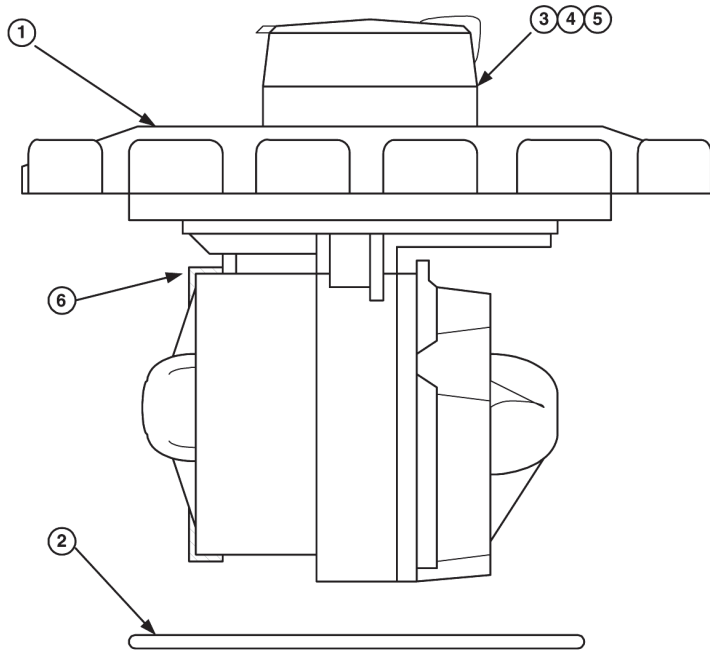
HP PROTECTUS® III Parts List



HP PROTECTUS® III PARTS LIST

		4"	6"	8"	10"
3	Meter Cover O-Ring	8316-271	8316-272	8316-272	8316-272
4	Strainer Element	11462-001	11462-002	11462-003	11462-004
5	Main Line Valve	9760-100	9760-200	9760-300	9760-300
6	Flush Port Pipe Plug	8315-037	8315-038	8315-038	8315-038
7	Meter Valve Cover	11705-101	11705-201	11705-301	11705-301
8	Strainer Body Cover	11957-101	11957-201	11957-301	11957-401
9	90° Elbow	8385-203	8385-201	8385-202	8385-202
10	Victaulic Coupling	60720-001	60720-002	60720-003	60720-007
10	Victaulic Coupling (S/S Bolts)	60720-008	60720-009	60720-010	60720-011
11	Meter Cover Bolts (S/S)	8329-426 (8)	8329-405 (12)	8329-405 (12)	8329-405 (12)
12	Strainer Cover Bolts	8307-029 (8)	8307-036(12)	8307-031 (16)	8307-031 (20)
12	Strainer Cover Bolts (S/S)	8307-032 (8)	8307-037(12)	8307-034 (16)	8307-034 (20)
13	Strainer Cover Washers (S/S)	8568-028 (16)	8568-036 (24)	8568-034 (32)	8568-034 (40)
14	Strainer Cover Nuts	8545-411 (8)	8545-410 (12)	8545-424 (16)	8545-424 (20)
14	Strainer Cover Nuts (S/S)	8545-416 (8)	8545-427 (12)	8545-430 (16)	8545-430 (20)
15	Strainer Cover O-Ring	8316-312	8316-311	8316-309	8316-310
16	Valve Cover Bolts	8329-509 (8)	8307-009 (8)	8307-029 (8)	8307-029
16	Valve Cover Bolts (S/S)	8307-019 (8)	8307-046 (8)	8307-032 (8)	8307-032
17	Valve Cover Washers	616-000 (16)	8568-029 (16)	8568-029	8568-029
17	Valve Cover Washers (S/S)	8568-021 (16)	8568-023 (16)	8568-023	8568-023
18	Valve Cover Nuts	8545-410 (8)	8545-410 (8)	8545-411	8545-411
18	Valve Cover Nuts (S/S)	8545-404 (8)	8545-416 (8)	8545-416 (8)	8545-416 (8)
19	Valve Cover Gasket	60707-004	60707-006	60707-008	60707-008
19	Valve Cover O-Ring	8316-306	8316-317	8316-312	8316-312
20	Gate Valve	8368-008	8368-010	8368-011	8368-011
20	Ball Valve (Lockable LL)	8368-822	8368-823	8368-824	8368-824
20	Ball Valve (Lockable)	8368-803	8368-804	8368-805	8368-805
21	Check Valve	8368-407	8368-408	8368-409	8368-409
22	Check Valve Bolt				
23	Check Valve Washer				
24	Test Tee	8386-101	8386-102	8386-103	8386-103
25	Test Tee Pipe Plug	8315-035	8315-036	8315-037	8315-037
26	Oval Flange	N/A	60708-104	60708-204	60708-204
27	Oval Gasket	N/A	60709-001	60709-002	60709-002
28	Adjustable Oval Flange	N/A	60711-002	60711-001	60711-001
29	Flange Bolt	N/A	8307-007 (4)	8307-009 (4)	8307-009 (4)
29	Flange Bolt (S/S)	N/A	8307-019 (4)	8307-046 (4)	8307-046 (4)
30	Flange Washer	N/A	616-000 (4)	2025-000 (4)	2025-000 (4)
30	Flange Washer (S/S)	N/A	8568-022 (4)	8568-023 (4)	8568-023 (4)
31	Flange Nut	N/A	41226-000 (4)	41227-000 (4)	41227-000(4)
31	Flange Nut (S/S)	N/A	8545-404 (4)	8545-416 (4)	8545-416 (4)
32	Pack Joint	N/A	8374-614	8374-615	8374-615
33	Coupling Assembly	60700-102			
34	Threaded Nipple	8314-404	8314-607	8314-701	8314-701
35	Threaded Nipple	8314-401	8314-607	8314-701	8314-701
36	Threaded Nipple	N/A	8314-604	8314-701	8314-708
37	Threaded Nipple	N/A	8314-609	8314-717	8314-707
38	Threaded Nipple	8314-407	8314-607	8314-701	8314-704
39	Threaded Nipple	8314-401	8314-604	8314-701	8314-701
40	Threaded Nipple	8314-404	8314-604	8314-703	8314-704
41	Threaded Nipple	N/A	8314-604	8314-702	8314-709
42	Threaded Nipple	N/A	8314-609	8314-717	8314-711
43	Turbine Bypass	N/A	8314-605	8314-713	8314-714
44	Valve Retainer Tool	5500-153	5500-154	5500-155	5500-155
45	Victaulic Bolt and Nut	60734-001	60734-002	60734-003	60734-004
46	Victaulic Gasket	60721-001	60721-002	60721-003	60721-004
47	Flange Kit	60705-400	60705-600	60705-800	60705-900
47	Flange Kit (S/S)	60705-450	60705-650	60705-850	60705-950
47	Flange	60706-400	60706-600	60706-800	60706-900
48	Throttle Valve	11668-000	11668-100	11668-200	11668-200
49	Bolt-Knuckle Valve	8329-207	8329-207	8329-207	8329-207
50	Washer-Knuckle Valve	8387-401	8387-401	8387-401	8387-401
51	Vent Screw	2251-004	2251-004	2251-004	2251-004
52	Vent Screw Washer	2252-000	2252-000	2252-000	2252-000
53	Test Port Pipe Plug	8315-037	8315-037	8315-038	8315-038





METER SIZE	ITEM 1	ITEM 2	DIAL	ITEM 3 D.R.		ITEM 4 PROREAD (PIT) (ARB VI) (LP) (2 BD)		ITEM 4 PROREAD (PIT) (ARB VI) (LP) (3 BD)		ITEM 5 E-CODER (PIT) (ARB VII)		ITEM 5 E-CODER R900i (PIT)		ITEM 6
	Cover Ass't	O-Ring		Reg#	U.M.E #	Reg#	U.M.E. #	Reg #	U.M.E. #	Reg #	U.M.E. #	Reg #	U.M.E. #	Reg #
4"	11328-230	8316-271	100 GAL.	R85G6	9719-301	R75G61	9719-308	R75G62	9719-309	RH5G61	9719-300	RW5G62	9719-340	11335-001
			10 CU. FT.	R85F6	9719-311	R75F61	9719-318	R75F62	9719-319	RH5F61	9719-310	RW5F62	9719-350	
			1 M3	R85M6	9719-321	R75M61	9719-328	R75M62	9719-329	RH5M61	9719-320	RW5M62	9719-360	
			1000 IMP. GAL.	R85I6	9719-331	R75I61	9719-338	R75I62	9719-339	RH5I61	9719-330	RW5I62	9719-370	
6"	11328-330	8316-272	1000 GAL.	R85G7	9719-401	R75G71	9719-408	R75G72	9719-409	RH5G7	9719-400	RW5G72	9719-440	11335-002
			100 CU. FT.	R85F7	9719-411	R75F71	9719-418	R75F72	9719-419	RH5F71	9719-410	RW5F72	9719-450	
			10 M3	R85M7	9719-421	R75M71	9719-428	R75M72	9719-429	RH5M71	9719-420	RW5M72	9719-460	
			1000 IMP. GAL.	R85I7	9719-431	R75I71	9719-438	R75I72	9719-439	RH5I71	9719-430	RW5I72	9719-470	
8"	11328-430	8316-272	1000 GAL.	R85G8	9719-501	R75G81	9719-508	R75G82	9719-509	RH5G81	9719-500	RW5G82	9719-540	
			100 CU. FT.	R85F8	9719-511	R75F81	9719-518	R75F82	9719-519	RH5F81	9719-510	RW5F82	9719-550	
			10 M3	R85M8	9719-521	R75M81	9719-528	R75M82	9719-529	RH5M81	9719-520	RW5M82	9719-560	
			1000 IMP. GAL.	R85I8	9719-531	R75I81	9719-538	R75I82	9719-539	RH5I81	9719-530	RW5I82	9719-570	
10"	11328-530	8316-272	1000 GAL.	R85G9	9719-601	R75G91	9719-608	R75G92	9719-609	RH5G91	9719-600	RW5G92	9719-640	
			100 CU. FT.	R85F9	9719-611	R75F91	9719-618	R75F92	9719-619	RH5F91	9719-610	RW5F92	9719-650	
			10 M3	R85M9	9719-621	R75M91	9719-628	R75M92	9719-629	RH5M91	9719-620	RW5M92	9719-660	
			1000 IMP. GAL.	R85I9	9719-631	R75I91	9719-638	R75I92	9719-639	RH5I91	9719-630	RW5I92	9719-670	

Neptune Technology Group Inc.
 1600 Alabama Highway 229
 Tallahassee, AL 36078
 USA
 Tel: (800) 645-1892
 Fax: (334) 283-7293

Neptune Technology Group (Canada) Ltd.
 7275 West Credit Avenue
 Mississauga, Ontario
 L5N 5M9
 Canada
 Tel: (905) 858-4211
 Fax: (905) 858-0428

Neptune Technology Group Inc.
 Avenida Ejercito Nacional No 418
 Piso 12, Despacho 1203
 Colonia Polanco V Sección
 C.P. 11560
 Delegación, Miguel Hidalgo
 Mexico D.F.
 Tel: (525) 5203-4032 / (525) 5203-6204
 (525) 5203-5294
 Fax: (525) 5203-6503

NEPTUNE
 TECHNOLOGY GROUP

neptunetg.com