

High Performance (HP) Turbine Parts List

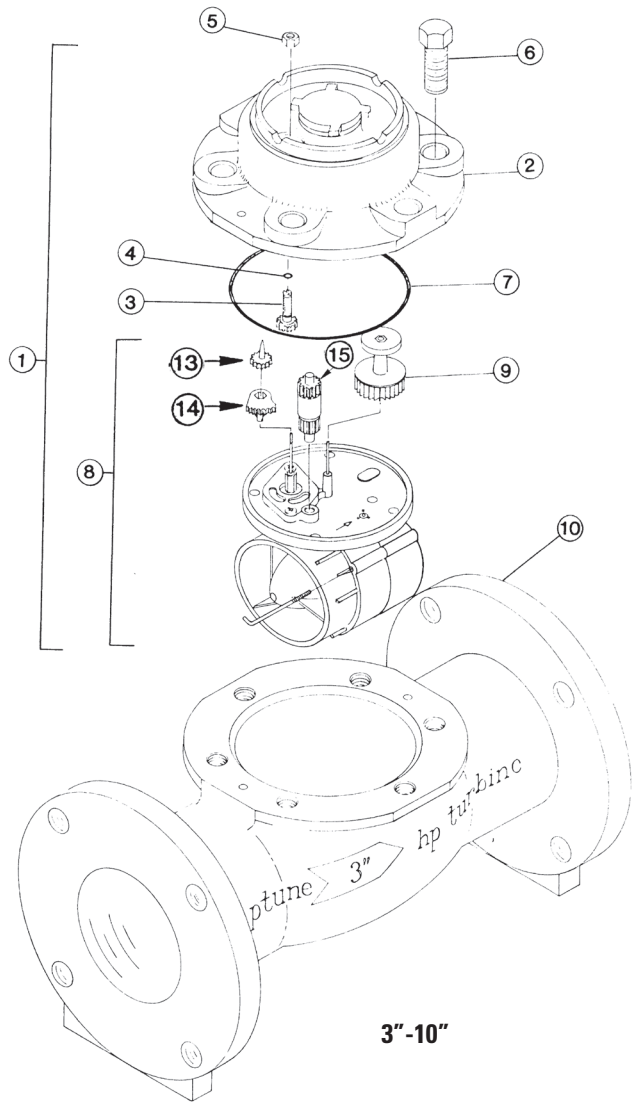
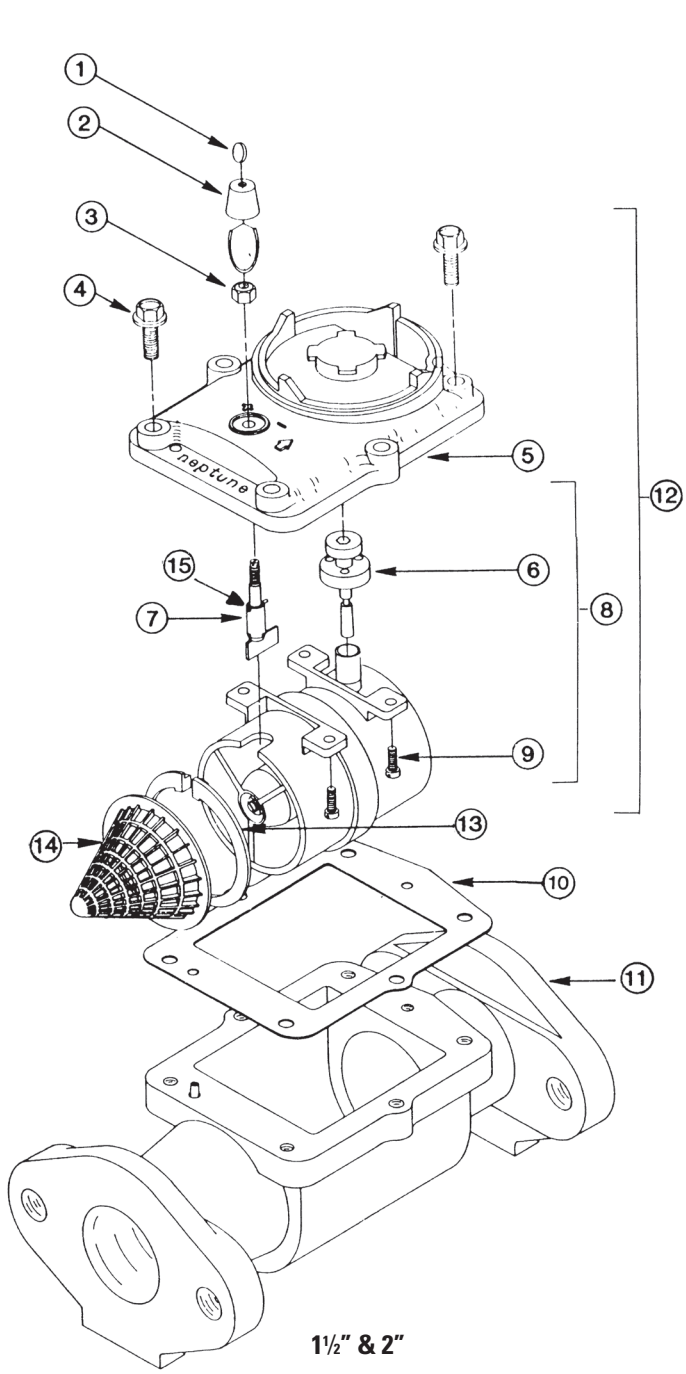


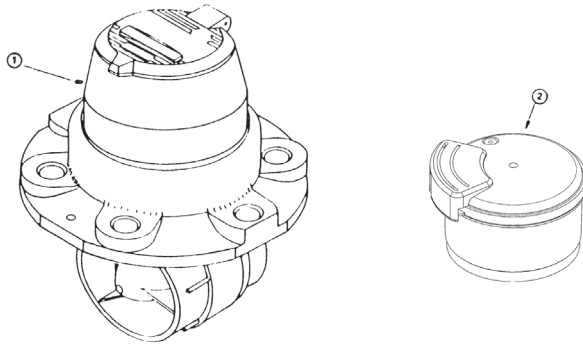
1½" & 2"

ITEM	DESCRIPTION	METER SIZE & PART NUMBERS	
		1½" HP	2" HP
1	16" Seal Wire with Lead Seal	41110-501	41110-501
2	Seal Cap	11098-001	11098-001
3	Calibration Nut	8545-417	8545-417
4	Maincase Bolts (Qty)	N/A	N/A
5	Cover	9860-002	9860-002
6	Drive Spindle Assembly	9485-012	9485-012
7	Calibration Vane Assembly	11097-110	11097-110
8	Measuring Chamber Assembly	9861-200	9861-200
9	Bolts (Qty)	8396-605 (4)	8396-605 (4)
10	Maincase Gasket	9857-003	9857-003
11	Maincase	9854-012	9854-011
12	Cover Assembly	9859-200	9859-200
13	Lock Ring	9856-001	9856-001
14	Flow Conditioner/Strainer	9855-001	9855-001
15	O-Ring	8316-022	8316-022
16	Seal Ring (not shown)	8340-062	8340-062

3"-10"

ITEM	DESCRIPTION	METER SIZE AND PART NUMBERS				
		3" HP	4" HP	6" HP	8" HP	10" HP
1	Cover Assembly	11328-130	11328-230	11328-330	11328-430	11328-530
2	Cover	11361-002	11330-002	11359-002	11359-002	11359-002
3	Calibration Vane Stem Assembly	11354-000	11354-000	11354-000	11354-000	11354-000
4	Calibration Vane Stem O-Ring	8316-022	8316-022	8316-022	8316-022	8316-022
5	Calibration Vane Stem Nut	8545-417	8545-417	8545-417	8545-417	8545-417
6	Maincase Bolts	8329-405	8329-405	8329-421	8329-421	8329-421
7	Maincase O-Ring	8316-270	8316-271	8316-272	8316-272	8316-272
8	Measuring Chamber Assembly	11329-100	11329-200	11329-300	11329-400	11329-500
9	Magnet Gear Assembly	11347-110	11347-210	11347-310	11347-410	11347-510
10	Maincase	11360-003	11327-002	11356-011	11357-002	11358-002
11	Seal Tube (not shown)	11335-103	N/A	N/A	N/A	N/A
12	Element Seal (not shown)	N/A	12763-001	N/A	N/A	N/A
13	Drive Pinion	12769-001	12769-002	12769-003	12769-004	12769-005
14	Calibration Vane Gear	12768-001	12768-001	12768-001	12768-001	12768-001
15	Calibration Vane Spindle Assembly	11345-100	11345-200	11345-300	11345-300	11345-300





(UME includes: Register, Gasket, Cover, and Turbine Rotor Assembly)

SIZE	REGISTRATION	ProRead™ (Pit) 4-Wheel*		ProRead™ (Pit) 6-Wheel*		E-CODER® (Pit)		E-CODER®/R900i™ (Pit)	
		REGISTER	UME	REGISTER	UME	REGISTER	UME	REGISTER	UME
1½" & 2" HP	Cu. Ft	R75F11	9700-011	R75F12	9700-018	RH5F11	9700-019	RW5F11	9700-001
	Gal	R75G11	9700-021	R75G12	9700-028	RH5G11	9700-029	RW5G11	9700-002
	M³	R75M11	9700-041	R75M12	9700-048	RH5M11	9700-049	RW5M11	9700-004
	Imp. Gal	R75I11	9700-031	R75I12	9700-038	RH5I11	9700-039	RW5I13	9700-007
3" HP	Cu. Ft	R75F21	9700-111	R75F22	9700-118	RH5F21	9700-119	RW5F21	9700-101
	Gal	R75G21	9700-121	R75G22	9700-128	RH5G21	9700-129	RW5G21	9700-102
	M³	R75M21	9700-141	R75M22	9700-148	RH5M21	9700-149	RW5M21	9700-104
	Imp. Gal	R75I21	9700-131	R75I22	9700-138	RH5I21	9700-139	RW5I23	9700-107
4" HP	Cu. Ft	R75F31	9700-211	R75F32	9700-218	RH5F31	9700-219	RW5F31	9700-201
	Gal	R75G31	9700-221	R75G32	9700-228	RH5G31	9700-229	RW5G31	9700-202
	M³	R75M31	9700-241	R75M32	9700-248	RH5M31	9700-249	RW5M31	9700-204
	Imp. Gal	R75I31	9700-231	R75I32	9700-238	RH5I31	9700-239	RW5I33	9700-207
6" HP	Cu. Ft	R75F41	9700-311	R75F42	9700-318	RH5F41	9700-319	RW5F41	9700-301
	Gal	R75G41	9700-321	R75G42	9700-328	RH5G41	9700-329	RW5G41	9700-302
	M³	R75M41	9700-341	R75M42	9700-348	RH5M41	9700-349	RW5M41	9700-304
	Imp. Gal	R75I41	9700-331	R75I42	9700-338	RH5I41	9700-339	RW5I43	9700-307
8" HP	Cu. Ft	R75F51	9700-411	R75F52	9700-418	RH5F51	9700-419	RW5F51	9700-401
	Gal	R75G51	9700-421	R75G52	9700-428	RH5G51	9700-429	RW5G51	9700-402
	M³	R75M51	9700-441	R75M52	9700-448	RH5M51	9700-449	RW5M51	9700-404
	Imp. Gal	R75I51	9700-431	R75I52	9700-438	RH5I51	9700-439	RW5I53	9700-407
10" HP	Cu. Ft	R75F01	9700-511	R75F02	9700-518	RH5F01	9700-519	RW5F01	9700-501
	Gal	R75G01	9700-521	R75G02	9700-528	RH5G01	9700-529	RW5G01	9700-502
	M³	R75M01	9700-541	R75M02	9700-548	RH5M01	9700-549	RW5M01	9700-504
	Imp. Gal	R75I01	9700-531	R75I02	9700-538	RH5I01	9700-539	RW5I03	9700-507

*Registers do not include ARB® remote receptacles.

Note: When ordering registers, please include change gear combination or four-digit register code from dial face.

Neptune Technology Group Inc.
1600 Alabama Highway 229
Tallahassee, AL 36078
USA
Tel: (800) 633-8754
Fax: (334) 283-7293

Neptune Technology Group (Canada) Ltd.
7275 West Credit Avenue
Mississauga, Ontario
L5N 5M9
Canada
Tel: (905) 858-4211
Fax: (905) 858-0428

Neptune Technology Group Inc.
Avenida Ejercito Nacional No 418
Piso 12, Despacho 1203
Colonia Polanco V Sección
C.P. 11560
Delegación, Miguel Hidalgo
Mexico D.F.
Tel: (525) 5203-4032 / (525) 5203-6204
(525) 5203-5294
Fax: (525) 5203-6503

 **NEPTUNE**
TECHNOLOGY GROUP
neptunetg.com